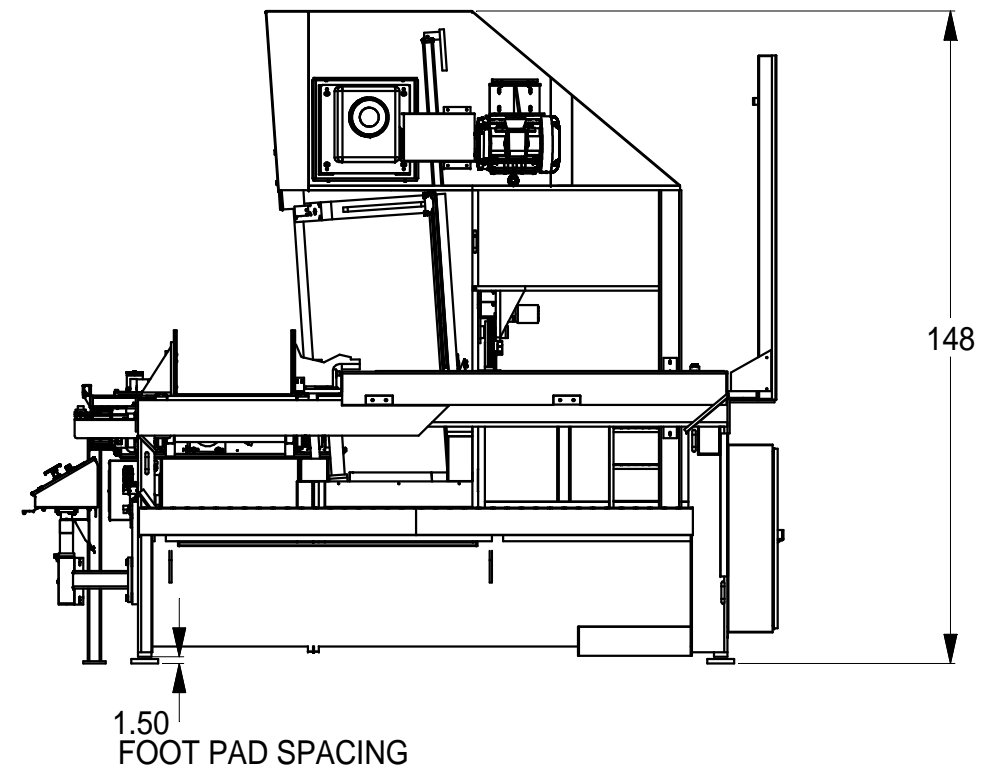
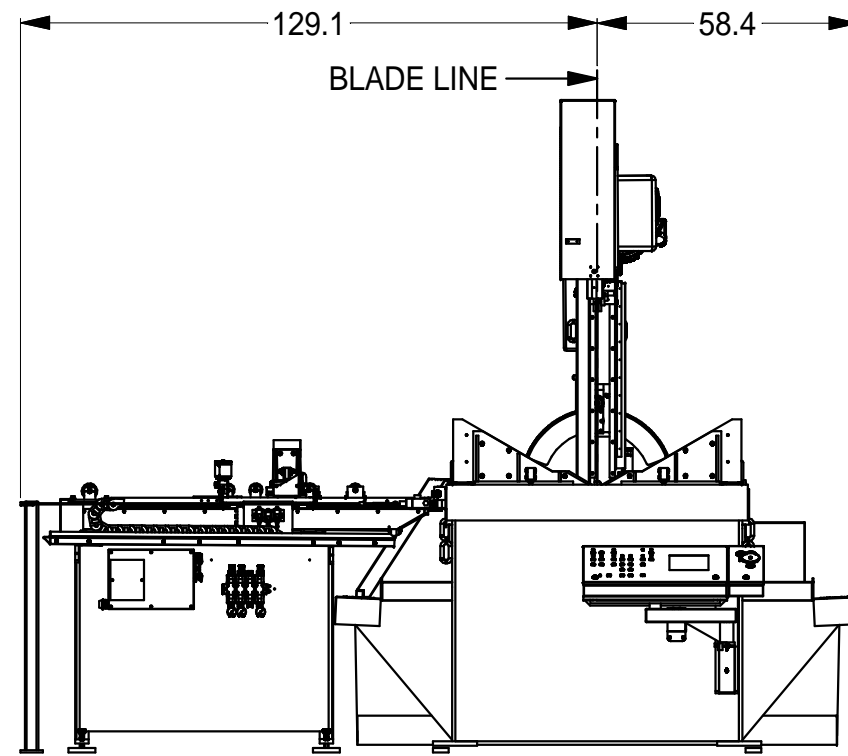
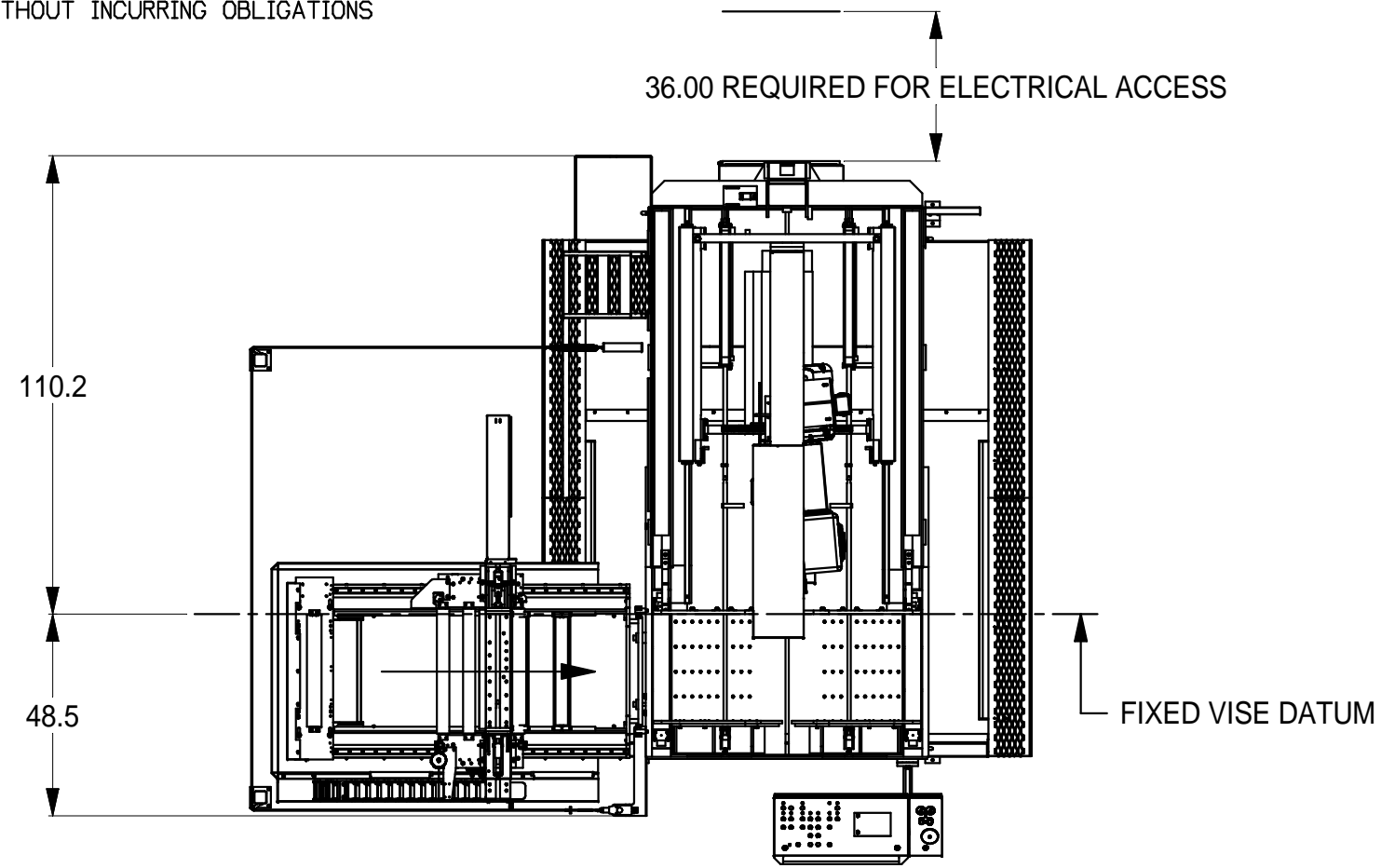


NOTE: HEM INC. WHOSE POLICY IS ONE OF CONTINUOUS IMPROVEMENTS,  
 RESERVES THE RIGHT TO CHANGE SPECIFICATIONS, PRICE OR DESIGN  
 AT ANY TIME WITHOUT NOTICE AND WITHOUT INCURRING OBLIGATIONS  
 ALL DIMENSIONS +/- 1.00"



2019 COPYRIGHT HEM Inc. All rights reserved. No part of this document may be copied without written permission.

<b>HEM</b> , INC. MID-AMERICA INDUSTRIAL DISTRICT P.O. BOX 1148 PRYOR, OK 74361
LAYOUT
VT200HA-60 - 48"BS FEED
B-006516-696 A