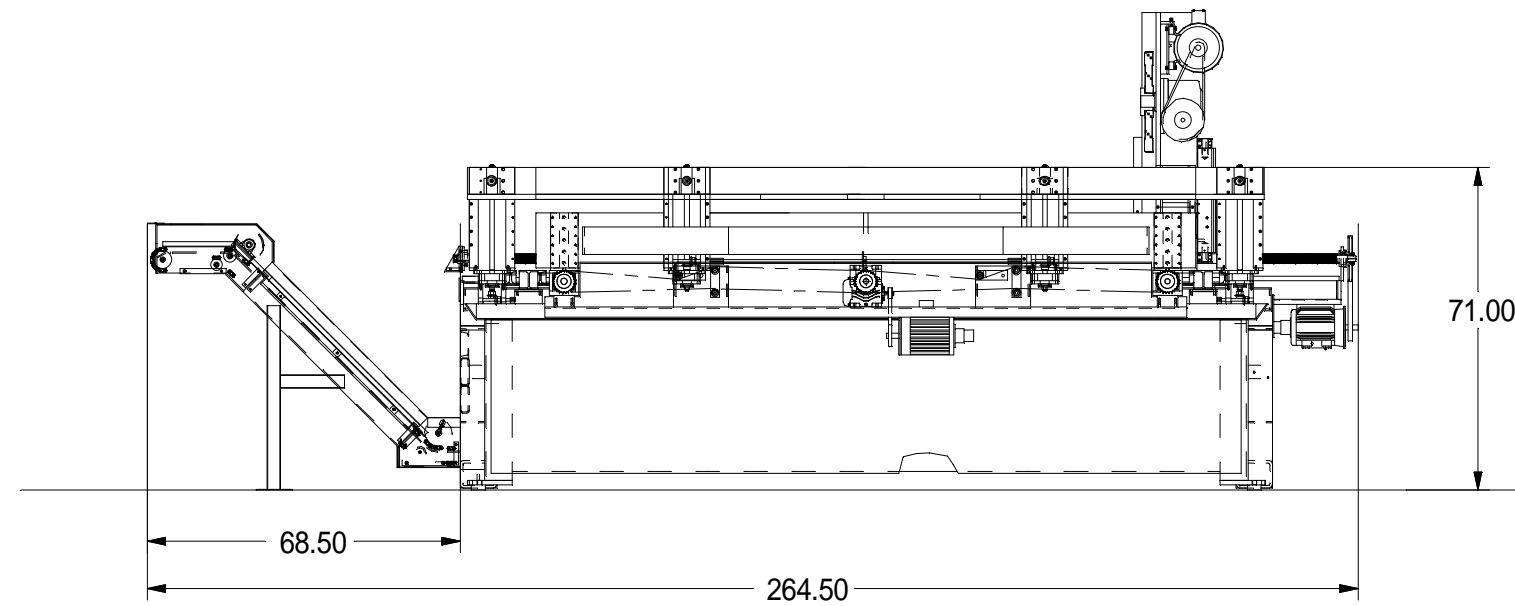
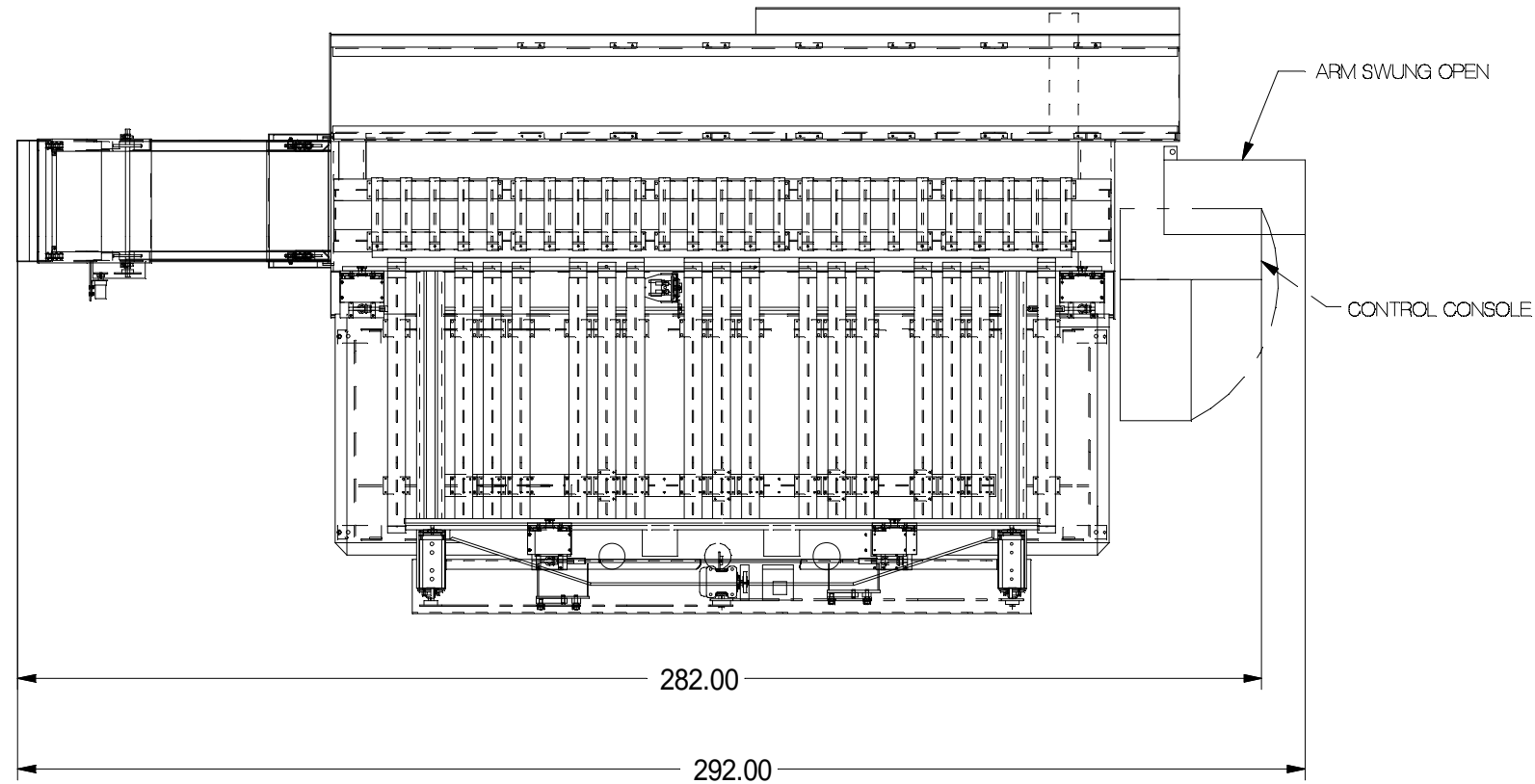
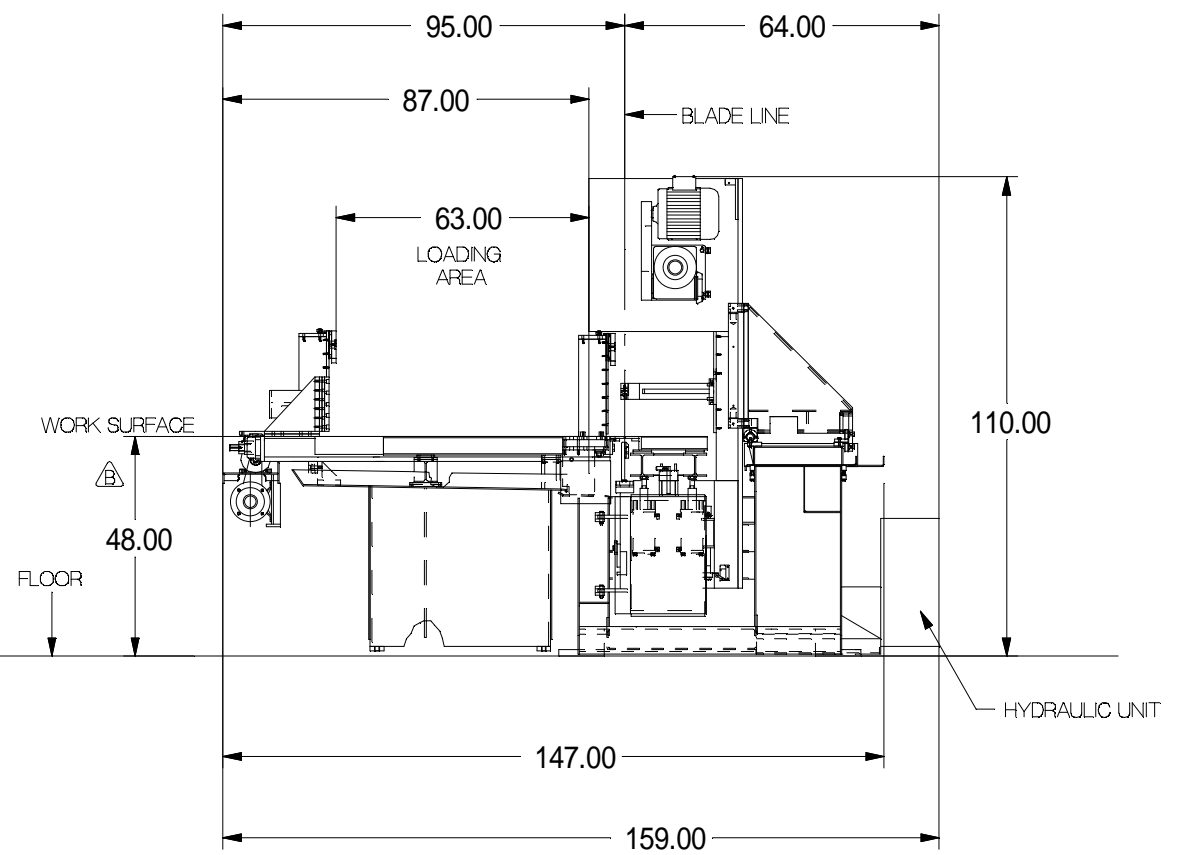


NOTE: HEM INC. WHOSE POLICY IS ONE OF CONTINUOUS IMPROVEMENTS,
 RESERVES THE RIGHT TO CHANGE SPECIFICATIONS, PRICE OR DESIGN
 AT ANY TIME WITHOUT NOTICE AND WITHOUT INCURRING OBLIGATIONS
 ALL DIMENSIONS +/- 1.00"

TOP VIEW



FRONT ELEVATION



SIDE ELEVATION

HEM , INC.	
MID-AMERICA INDUSTRIAL DISTRICT	
P.O. BOX 1148 PRYOR, OK 74361	
DATE	01/2000
	H0011421
SAW LAYOUT	
PS-18 X 144 W/MAT'L HANDLER	
B-006516-330	B