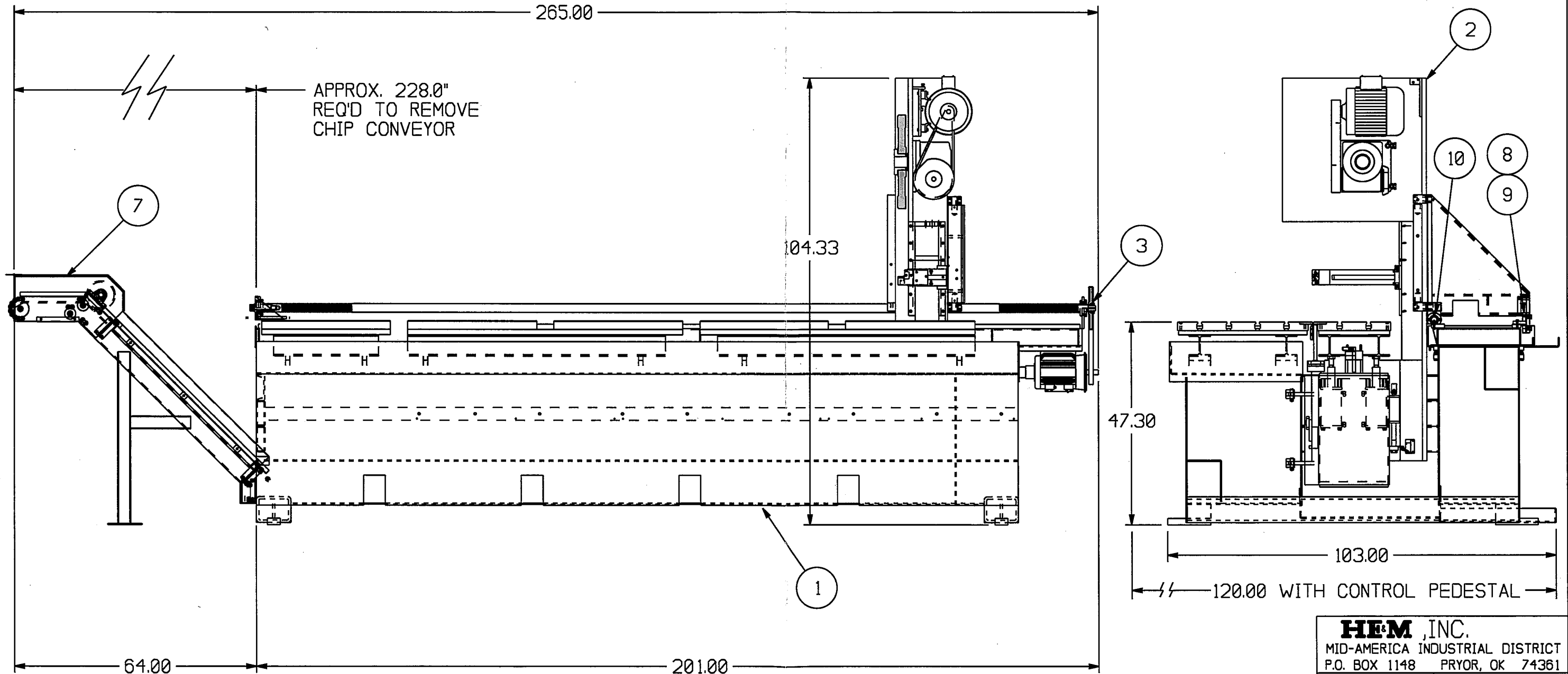


NOTE: HEM INC. WHOSE POLICY IS ONE OF CONTINUOUS IMPROVEMENTS,
 RESERVES THE RIGHT TO CHANGE SPECIFICATIONS, PRICE OR DESIGN
 AT ANY TIME WITHOUT NOTICE AND WITHOUT INCURRING OBLIGATIONS
 ALL DIMENSIONS +/- 1.00"

217.00 PS 18/96



HEM, INC.
 MID-AMERICA INDUSTRIAL DISTRICT
 P.O. BOX 1148 PRYOR, OK 74361
 DATE 06/99 H0010345
 SAW ASSY. PS-18/144
 B-014730-003 D

REV. D: REVISED DIMENSIONS JWC 10/27/99
 REV. C: ADDED DIMENSIONS T.NEALL 09/23/99

1999 COPYRIGHT HEM Inc. All rights reserved. No part of this document may be copied without written permission.